

Sounder 105 dB (A) / 110 dB (A) DS 5 / DS 10



The sounders from the DS 10 / DS 5 series can be used for tough demands under industrial conditions and as universal alarms. The sounders, which are suitable for use both indoors and outdoors, generate warning signals in 31 different tones can be selected with the aid of an internal switch. Optionally, a maximum of 3 additional tones can be switched to by means of an external controller. In addition to the factory settings, the tone combination can be individually selected by means of on-site programming (tone 32). Custom versions are available for special applications. The GL version is especially resistant to shock and vibration.

- volume control (DS 5)

DS 5 **DS 10**
IP 66 IP 67 **EN 54-3** **VdS G28609** **+55 °C -25 °C**
 max. signal reception range max. signal reception range Protection system Standard Standard Operating temperature

Electrical data		DS 5				
Rated voltage		230 V AC	115 V AC	24 V AC	12 V DC	24 V DC 48 V DC
Rated frequency		50 Hz / 60 Hz	50 Hz / 60 Hz	50 Hz / 60 Hz		
Functional range		195 V – 253 V	95 V – 127 V	19 V – 29 V	10 V – 15 V	19 V – 29 V 41 V – 53 V
Rated current consumption		0.03 A	0.06 A	0.28 A	0.28 A	0.28 A

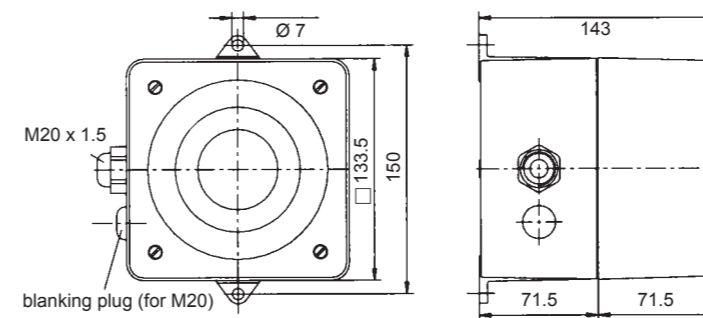
Electrical data		DS 10				
Rated voltage		230 V AC	115 V AC	24 V AC	12 V DC	24 V DC 48 V DC
Rated frequency		50 Hz / 60 Hz	50 Hz / 60 Hz	50 Hz / 60 Hz		
Functional range		195 V – 253 V	95 V – 127 V	19 V – 29 V	10 V – 15 V	19 V – 29 V 41 V – 53 V
Rated current consumption		0.06 A	0.12 A	0.42 A	0.30 A	0.42 A 0.42 A

Mechanical data		DS 5	DS 10
Sound pressure level		105 dB (A)	110 dB (A)
Sound level reduction		by - 20 dB via potentiometer (optional)	
Operating temperature		- 25 °C ... + 55 °C	
Storage temperature		- 40 °C ... + 70 °C	
Relative humidity		90%	
Protection system according to EN 60529		IP 66, IP 67	
Duty cycle		100%	
Material		die-cast aluminium GD-Al Si12 Cu	
Surface coating		epoxy resin paint RAL 3000, flame red	
Cable bushing		2 x M20 (1 x chrome-plated brass cable fitting, 1 x chrome-plated brass blanking plug)	
Clamping range of the cable fitting		8 – 12 mm	
Connecting terminals		max. 2.5 mm ²	
Weight	AC	2.15 kg	
	DC	1.95 kg	

Options / accessories

External tone selection (2 variants) for controlling several tones over great distances:
 1: for all voltages = potential-free NO function
 2: for 12 V / 24 V = voltage input

Dimensions



Alarm tone table

Tone	Code switch						Description - Basic tone (preset: tone no. 1)	Stage 2	Stage 3	Stage 4	Tone	Code switch						Description - Basic tone (preset: tone no. 1)	Stage 2	Stage 3	Stage 4
	1	2	3	4	5	6						1	2	3	4	5	6				
0							no tone	1	5	4	18	●						interrupted tone	19	7	4
1						●	emergency signal DIN 33 404, part 3	3	2	4	19	●						alternating tone	27	13	23
2						●	emergency evacuation signal as per ISO 8201	1	4	3	20	●						interrupted tone IMO SOLAS III/50 + SOLAS III/6.4	9	21	26
3						●	alternating tone	1	2	4	21	●						interrupted tone – leave ship	20	9	26
4						●	continuous tone	1	3	5	22	●						evacuation tone - Netherlands	19	14	2
5						●	interrupted tone	1	4	3	23	●						siren	27	12	2
6						●	siren	1	4	9	24	●						alternating tone	1	16	12
7						●	fire alarm France – NFS21-001	3	10	4	25	●						alternating tone	1	14	5
8						●	emergency signal Sweden – SS 031711	2	3	4	26	●						alternating tone	4	9	27
9						●	horn	1	3	4	27	●						siren	13	23	19
10						●	continuous tone	27	9	26	28	●						siren	7	10	4
11						●	continuous tone - Bayer	1	17	9	29	●						siren – Hoechst	1	30	9
12						●	continuous tone	27	9	26	30	●						interrupted tone	1	4	26
13						●	continuous tone	1	5	3	31	●						siren – NF C 48-265	3	14	4
14						●	continuous tone	1	4	10	32	○	○	○	○	○	○	selection of available tone combinations in stages 2, 3 and 4			
15						●	interrupted tone	1	24	12											
16						●	interrupted tone	1	24	15											
17						●	interrupted tone - Bayer	1	11	9											

Ordering details

Article numbers		DS 5			DS 10		
Version	Rated voltage	230 V AC	115 V AC	24 V DC	230 V AC	115 V AC	24 V DC
Standard		231 06 10 0 000	231 06 15 0 000	231 06 80 0 000	231 11 10 0 000	231 11 15 0 000	231 11 80 0 000
GL		231 06 10 0 001	231 06 15 0 001	231 06 80 0 001	231 11 10 0 001	231 11 15 0 001	231 11 80 0 001
LSR (volume control)		231 06 10 0 151	231 06 15 0 151	231 06 80 0 151			
TAS (external tone selection via closed function of the control voltage)		231 06 10 0 152	231 06 15 0 152	231 06 80 0 152	231 11 10 0 152	231 11 15 0 152	231 11 80 0 152

Article numbers for other voltages and versions on request

Conformity to standards

DIN EN 54-3: 2001 + EN 50 130-4: 1996	Fire alarm systems - part 3: fire alarm devices; Audible signaling devices and annex A1 Stability of system components for fire and burglar alarm systems	DIN EN ISO 7731	Ergonomic – alarms for public areas and workplaces – acoustic alarms
EN 61 000-6-2	EMV, stability for industrial areas	DIN 33 404/3: 1982	Alarms for workplaces, unified emergency signal
EN 61 000-6-3	EMV, emission standard for residential commercial, and light-industrial environments	ISO 8201: 1987	Evacuation alarm
EN 60 947-1: 2003	Low voltage switchgear standard	DIN EN 981: 1997	System of acoustic and visual alarm signals and information signals
EN 60 529: 2000	Protection system by enclosure (IP code)	ISO 11 429: 1996	System of acoustic and visual alarm signals and information signals